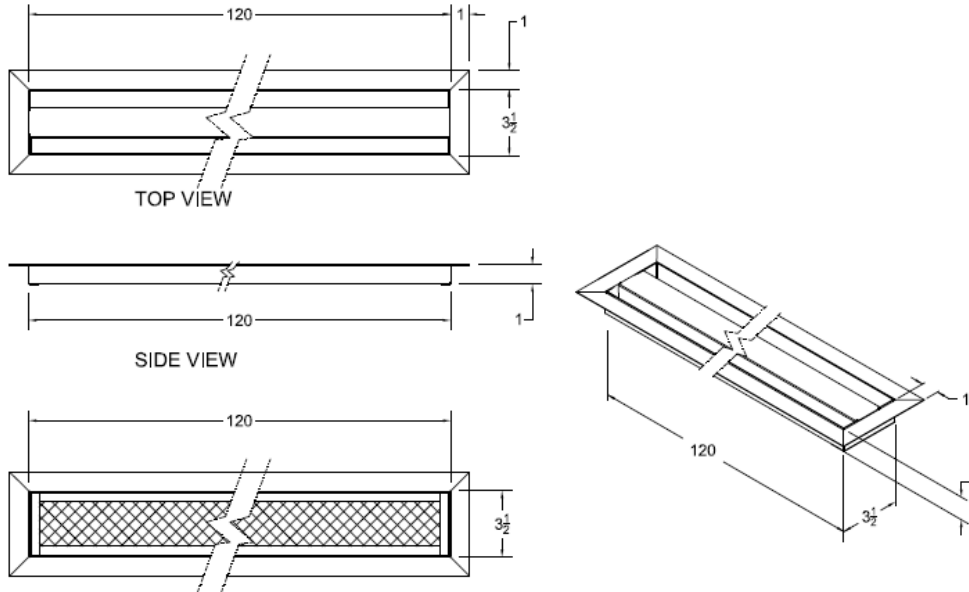


PRODUCT SPEC SHEET/KEY SPECIFICATIONS

CONTINUOUS UNDER EAVE/SOFFIT VENTS Model # CS2011-FFS



Under Eave/Soffit Vents	Model	Size L x W	NFVA Provided	Flanges available	Flange Definition	Weight
	CS2011-FFS	120" x 3.5"	120	Flange Front Soffit	1" Front Flange For Soffits	25lbs
CUSTOM SIZES AVAILABLE						

BENEFITS:

- Safety vents that are used in areas prone to wildfires, wind driven rain, or wind driven snow.
- Overlapping Baffle Protection (Patent Pending)
 - Air Flow through normally
 - Resists the intrusion of Flame and Embers, Wind Driven Rain and Wind Driven Snow
- Compliant with new California Ch7a Building Code
- 20 year Warranty
- Easy Install

STANDARD MATERIALS

¼" mesh standard unless otherwise requested

Astm A653/A653M- G90 hot dipped galvanized steel, 26GA

ASTM D9092- mill phosphatized coating for painting.- If bonderized

ASTM b370- Sheet Copper, 16oz and 20oz- if copper

Installation: Install like any other similar Ventilator Product on the market.

WARNING: Do NOT cut product prior to installation. This will void all warranties. If smaller lengths are needed, please measure and order custom lengths prior to installation.