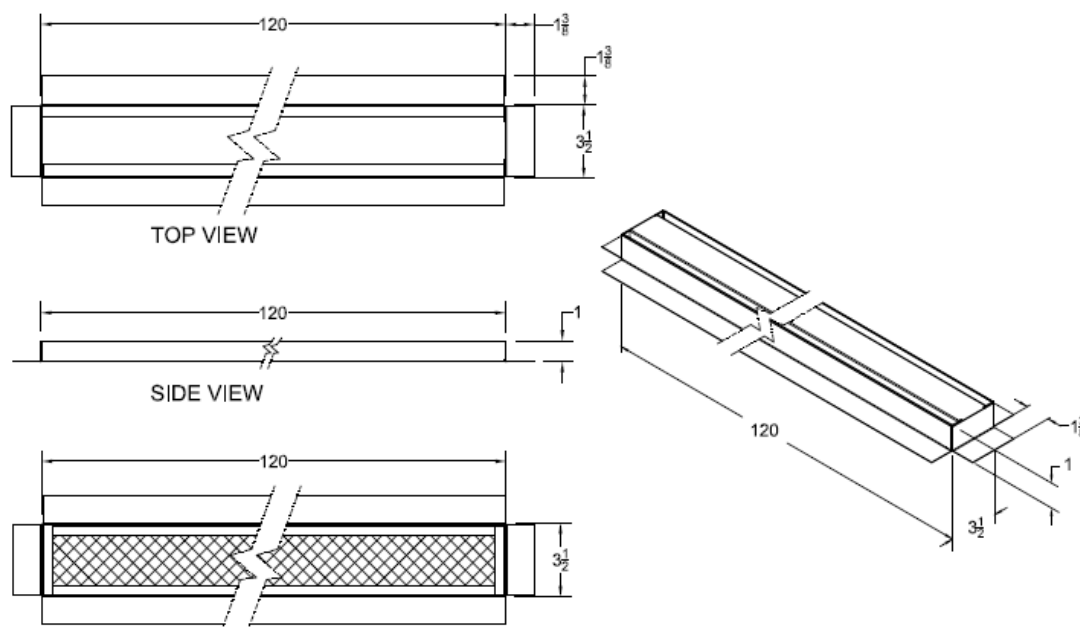


# PRODUCT SPEC SHEET/KEY SPECIFICATIONS

## CONTINUOUS UNDER EAVE/SOFFIT VENTS Model # CS2011-FO



Under Eave/Soffit Vents	Model	Size L x W	NFVA Provided	Flanges available	Flange Definition	Weight
	CS2011-FO	120" X 3.5"	120	New Const. Foam	1" Setback	25lbs
Continuous Vents and other CUSTOM SIZES AVAILABLE						

### BENEFITS:

- Safety vents that are used in areas prone to wildfires, wind driven rain, or wind driven snow.
- Overlapping Baffle Protection ( Patent Pending )
  - Air Flow through normally
  - Resists the intrusion of Flame and Embers, Wind Driven Rain and Wind Driven Snow
- Compliant with new California Ch7a Building Code
- 20 Year Warranty
- Easy Install

### STANDARD MATERIALS

**3/4" mesh standard unless otherwise requested**

Astm A653/A653M- G90 hot dipped galvanized steel, 26GA

ASTM D9092- mill phosphatized coating for painting.- If bonderized

ASTM b370- Sheet Copper, 16oz and 20oz- if copper

**Installation:** Install like any other similar Ventilator Product on the market.

**WARNING:** Do NOT cut product prior to installation. This will void all warranties. If smaller lengths are needed, please measure and order custom lengths prior to installation.