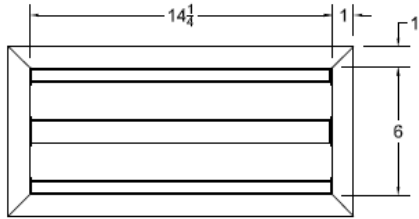
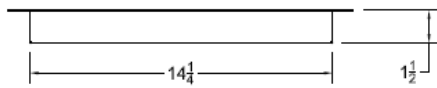


## PRODUCT SPEC SHEET/KEY SPECIFICATIONS

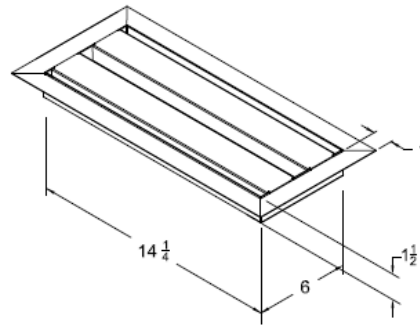
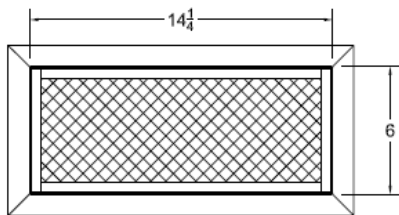
### FOUNDATION VENTS Model # FV2011-FF



TOP VIEW



SIDE VIEW



PROPRIETARY AND CONFIDENTIAL  
THE INFORMATION CONTAINED IN THIS  
DRAWING IS THE SOLE PROPERTY OF

Brandguard Vents

| Foundation Vents       | Model     | Size L x W | NFVA Provided | Flanges available | Flange Definition  | Weight |
|------------------------|-----------|------------|---------------|-------------------|--------------------|--------|
|                        | FV2011-FF | 14" X 6"   | 23.4          | SIDING            | 1" FLANGE ON FRONT | 5lbs   |
| CUSTOM SIZES AVAILABLE |           |            |               |                   |                    |        |

### BENEFITS:

- Safety vents that are used in areas prone to wildfires, wind driven rain, or wind driven snow.
- Overlapping Baffle Protection ( Patent Pending )
  - Air Flow through normally
  - Resists the intrusion of Flame and Embers, Wind Driven Rain and Wind Driven Snow
- Compliant with new California Ch7a Building Code
- 20 Year Warranty
- Easy Install

#### STANDARD MATERIALS

3/4" Mesh Standard unless otherwise requested

Astm A653/A653M- G90 hot dipped galvanized steel, 26GA

ASTM D9092- mill phosphatized coating for painting, if bonderized

ASTM b370- Sheet Copper, 16oz and 20oz, if copper

**Installation:** Install like any other similar Ventilator Product on the market.