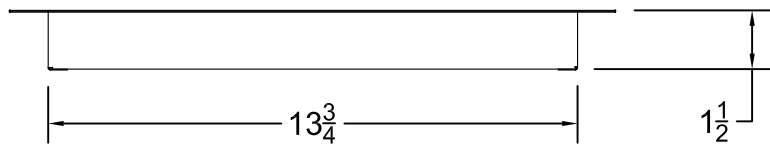
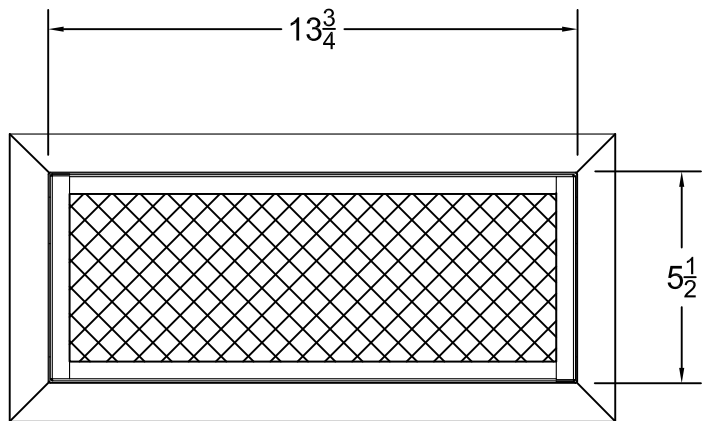


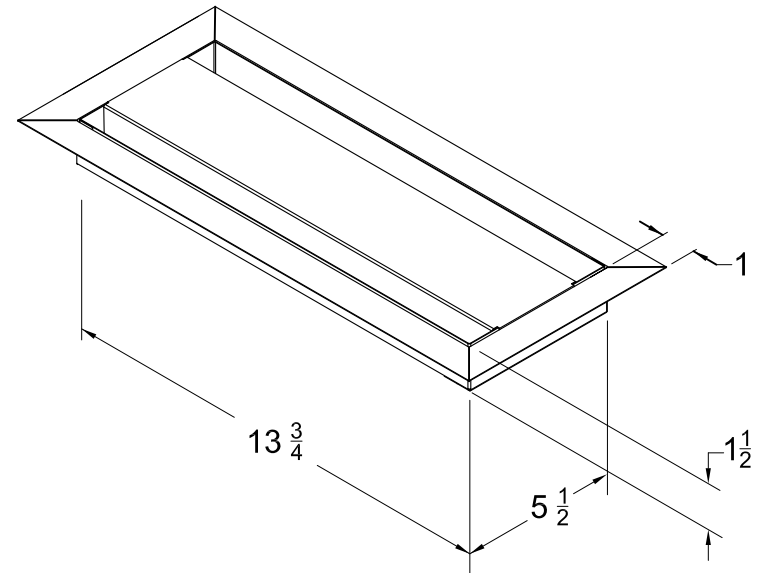
TOP VIEW



SIDE VIEW



BOTTOM VIEW



PROPRIETARY AND CONFIDENTIAL THE INFORMATION CONTAINED IN THIS DRAWING IS THE SOLE PROPERTY OF BRANDGUARD VENTS. ANY REPRODUCTION IN PART OR AS A WHOLE WITHOUT THE WRITTEN PERMISSION OF BRANDGUARD VENTS IS PROHIBITED.		DIMENSIONS ARE IN INCHES TOLERANCES: FRACTIONAL ANGULAR: MACH TWO PLACE DECIMAL THREE PLACE DECIMAL		Brandguard Vents		
				FOUNDATION VENT 6" X 14" FLANGE FRONT		
MATERIAL		NAME	DATE	SIZE	DWG. NO.	REV.
		CWN	02/17/09	A	FV-2011-R	A
DO NOT SCALE DRAWING		SCALE:1:6	WEIGHT:	SHEET 1 OF 1		