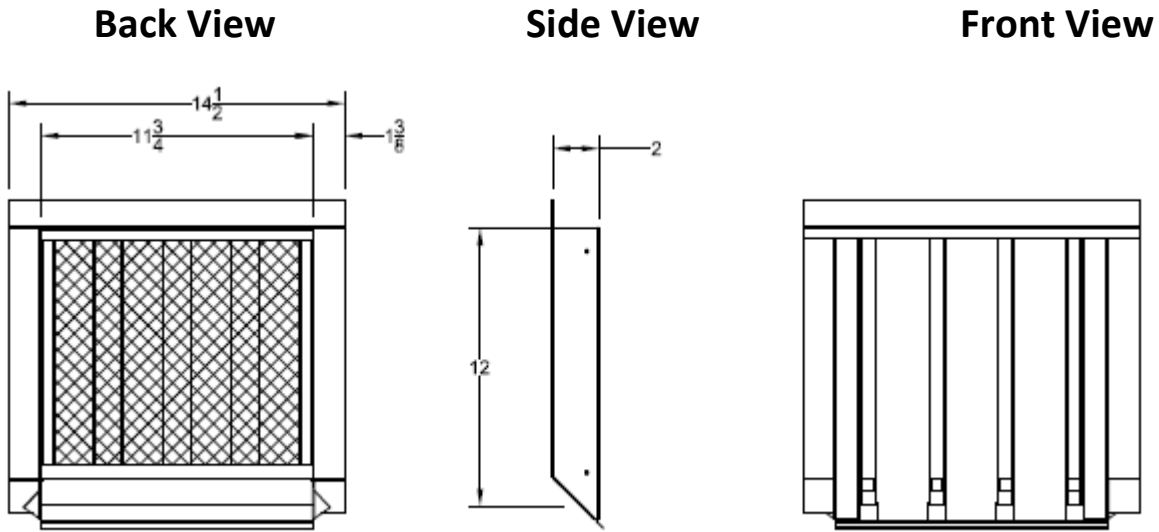


# PRODUCT SPEC SHEET/KEY SPECIFICATIONS

## GABLE VENTS Model # GV2011-FB



Gable Vents	Model	Size L x W	NFVA Provided	Flanges available	Flange Definition	Weight
	GV2011-FB	12" X 12"	39	Flange Back	Flange Back	5lbs
CUSTOM SIZES AVAILABLE						

### BENEFITS:

- Safety vents that are used in areas prone to wildfires, wind driven rain, or wind driven snow.
- Overlapping Baffle Protection ( Patent Pending )
  - Air Flow through normally
  - Resists the intrusion of Flame and Embers, Wind Driven Rain and Wind Driven Snow
- Compliant with new California Ch7a Building Code
- 20 Year Warranty
- Easy Install

### STANDARD MATERIALS

**1/4" mesh Standard unless otherwise requested**

Astm A653/A653M- G90 hot dipped galvanized steel, 26GA

ASTM D9092- mill phosphatized coating for painting. IF BONDERIZED

ASTM b370- Sheet Copper, 16oz and 20oz IF COPPER

.025 x.025 hot dipped galvanized 23ga wire mesh

**Installation:** Install like any other similar Ventilator Product on the market.