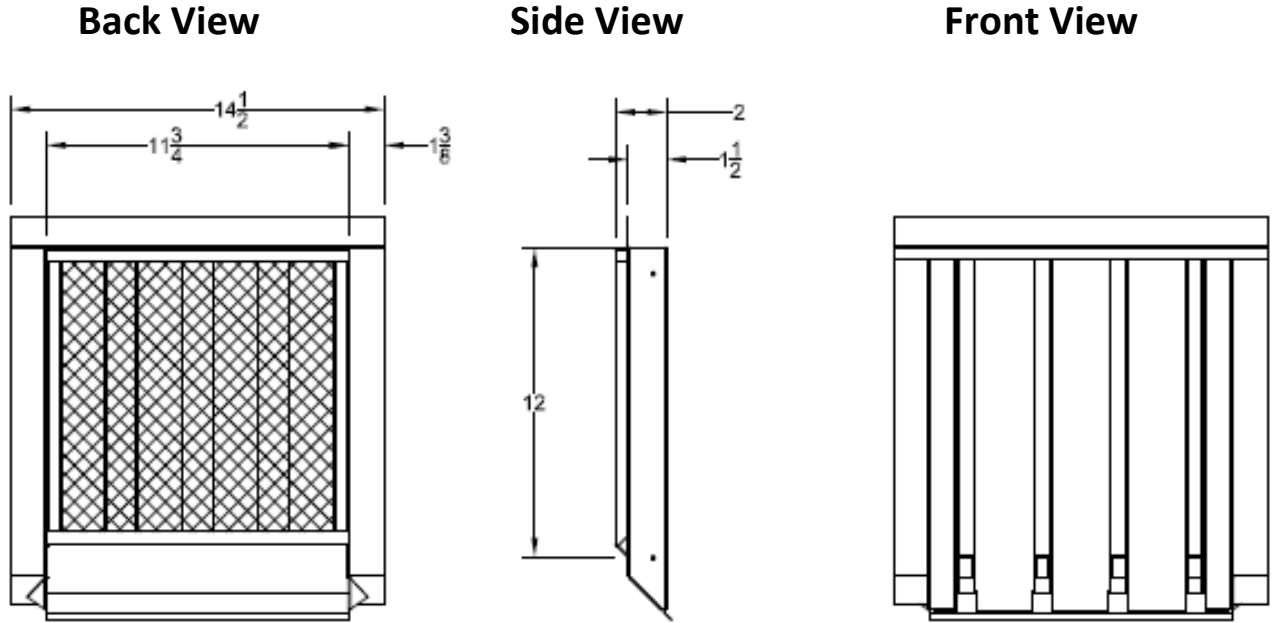


# PRODUCT SPEC SHEET/KEY SPECIFICATIONS

## GABLE VENTS Model # GV2011-FO



Gable Vents	Model	Size L x W	NFVA Provided	Flanges available	Flange Definition	Weight
	GV2011-FO	12" X 12"	39	New Const. Foam	1 1/2" Setback	5lbs
CUSTOM SIZES AVAILABLE						

**BENEFITS:**

- Safety vents that are used in areas prone to wildfires, wind driven rain, or wind driven snow.
- Overlapping Baffle Protection ( Patent Pending )
  - Air Flow through normally
  - Resists the intrusion of Flame and Embers, Wind Driven Rain and Wind Driven Snow
- Compliant with new California Ch7a Building Code
- Lifetime Warranty
- Easy Install

**STANDARD MATERIALS**

1/4" mesh Standard unless otherwise requested  
 Astm A653/A653M- G90 hot dipped galvanized steel, 26GA  
 ASTM D9092- mill phosphatized coating for painting. IF BONDERIZED  
 ASTM b370- Sheet Copper, 16oz and 20oz IF COPPER  
 .025 x .025 hot dipped galvanized 23ga wire mesh

**Installation:** Install like any other similar Ventilator Product on the market.