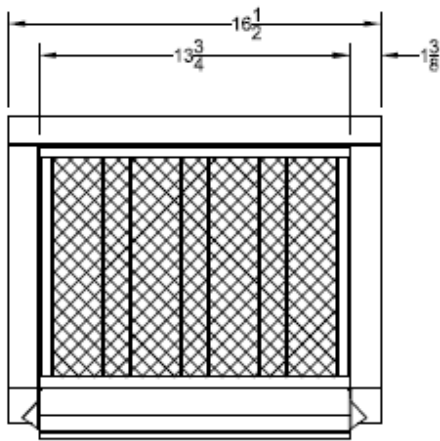


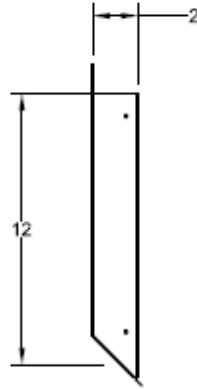
PRODUCT SPEC SHEET/KEY SPECIFICATIONS

GABLE VENTS Model # GV2031-FB

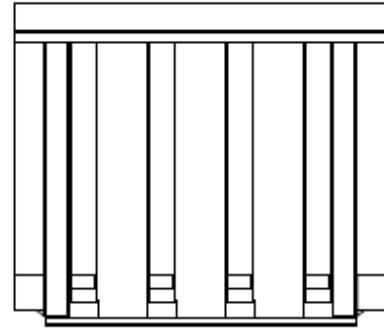
Back View



Side View



Front View



Gable Vents	Model	Size W x H	NFVA Provided	Flanges available	Flange Definition	Weight
	GV2031-FB	14" X 12"	45.3	Flange Back	Flange Back	6lbs
CUSTOM SIZES AVAILABLE						

BENEFITS:

- Safety vents that are used in areas prone to wildfires, wind driven rain, or wind driven snow.
- Overlapping Baffle Protection (Patent Pending)
 - Air Flow through normally
 - Resists the intrusion of Flame and Embers, Wind Driven Rain and Wind Driven Snow
- Compliant with new California Ch7a Building Code
- 20 year Warranty
- Easy Install

STANDARD MATERIALS

1/4" mesh Standard unless otherwise requested
 Astm A653/A653M- G90 hot dipped galvanized steel, 26GA
 ASTM D9092- mill phosphatized coating for painting. IF BONDERIZED
 ASTM b370- Sheet Copper, 16oz and 20oz, IF COPPER
 .025 x .025 hot dipped galvanized 23ga wire mesh

Installation: Install like any other similar Ventilator Product on the market.