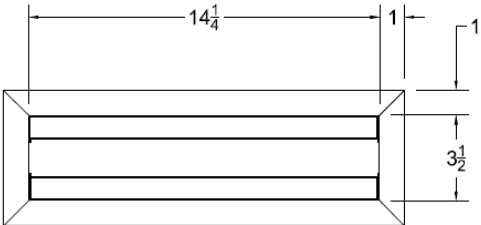
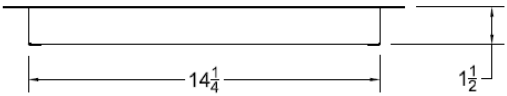


PRODUCT SPEC SHEET/KEY SPECIFICATIONS

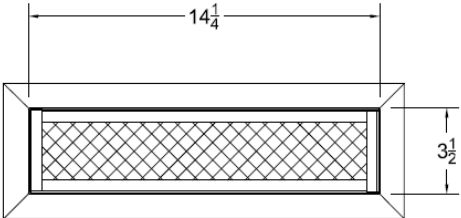
UNDER EAVE/SOFFIT VENTS Model # UE2021-FFS



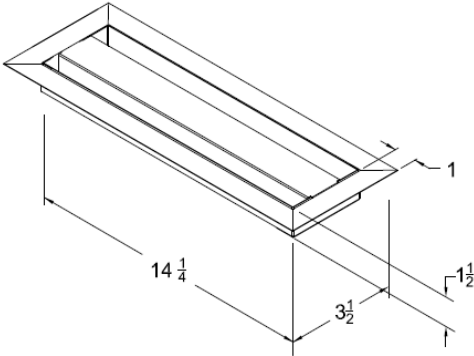
TOP VIEW



SIDE VIEW



BOTTOM VIEW



Under Eave/Soffit Vents	Model	Size L x W	NFVA Provided	Flanges available	Flange Definition	Weight
	UE2021-FFS	14" X 3.5"	14	Flange Front Soffit	1" Front Flange For Soffits	5lbs
Continuous Vents and other CUSTOM SIZES AVAILABLE						

BENEFITS:

- Safety vents that are used in areas prone to wildfires, wind driven rain, or wind driven snow.
- Overlapping Baffle Protection (Patent Pending)
 - Air Flow through normally
 - Resists the intrusion of Flame and Embers, Wind Driven Rain and Wind Driven Snow
- Compliant with new California Ch7a Building Code
- 20 Year Warranty
- Easy Install

STANDARD MATERIALS

1/4" mesh Standard unless otherwise requested
 Astm A653/A653M- G90 hot dipped galvanized steel, 26GA
 ASTM D9092- mill phosphatized coating for painting.- bonderized
 ASTM b370- Sheet Copper, 16oz and 20oz- if copper

Installation: Install like any other similar Ventilator Product on the market.