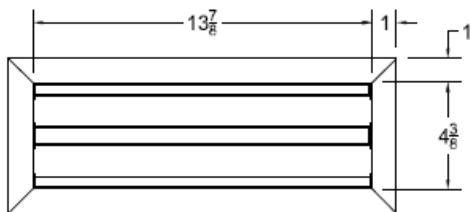
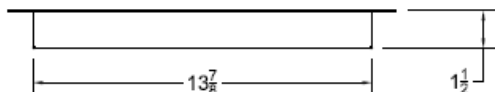


# PRODUCT SPEC SHEET/KEY SPECIFICATIONS

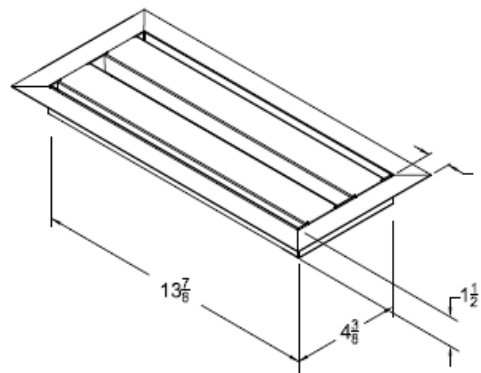
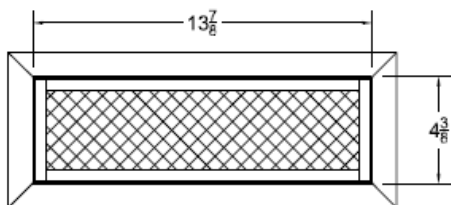
## UNDER EAVE/SOFFIT VENTS Model # UE2031-RS



TOP VIEW



SIDE VIEW



| Under Eave/Soffit Vents                           | Model     | Size L x W | NFVA Provided | Flanges available | Flange Definition | Weight |
|---|-----------|------------|---------------|-------------------|-------------------|--------|
|   | UE2031-RS | 14" x 5"   | 23.4          | Retrofit Soffit   | 1" w Front Flange | 5lbs   |
| Continuous Vents and other CUSTOM SIZES AVAILABLE |           |            |               |                   |                   |        |

### BENEFITS:

- Safety vents that are used in areas prone to wildfires, wind driven rain, or wind driven snow.
- Overlapping Baffle Protection ( Patent Pending )
  - Air Flow through normally
  - Resists the intrusion of Flame and Embers, Wind Driven Rain and Wind Driven Snow
- Compliant with new California Ch7a Building Code
- 20 Year Warranty
- Easy Install

### STANDARD MATERIALS

**1/4" mesh standard unless otherwise requested**

Astm A653/A653M- G90 hot dipped galvanized steel, 26GA

ASTM D9092- mill phosphatized coating for painting.- If bonderized

ASTM b370- Sheet Copper, 16oz and 20oz- if copper

**Installation:** Install like any other similar Ventilator Product on the market.