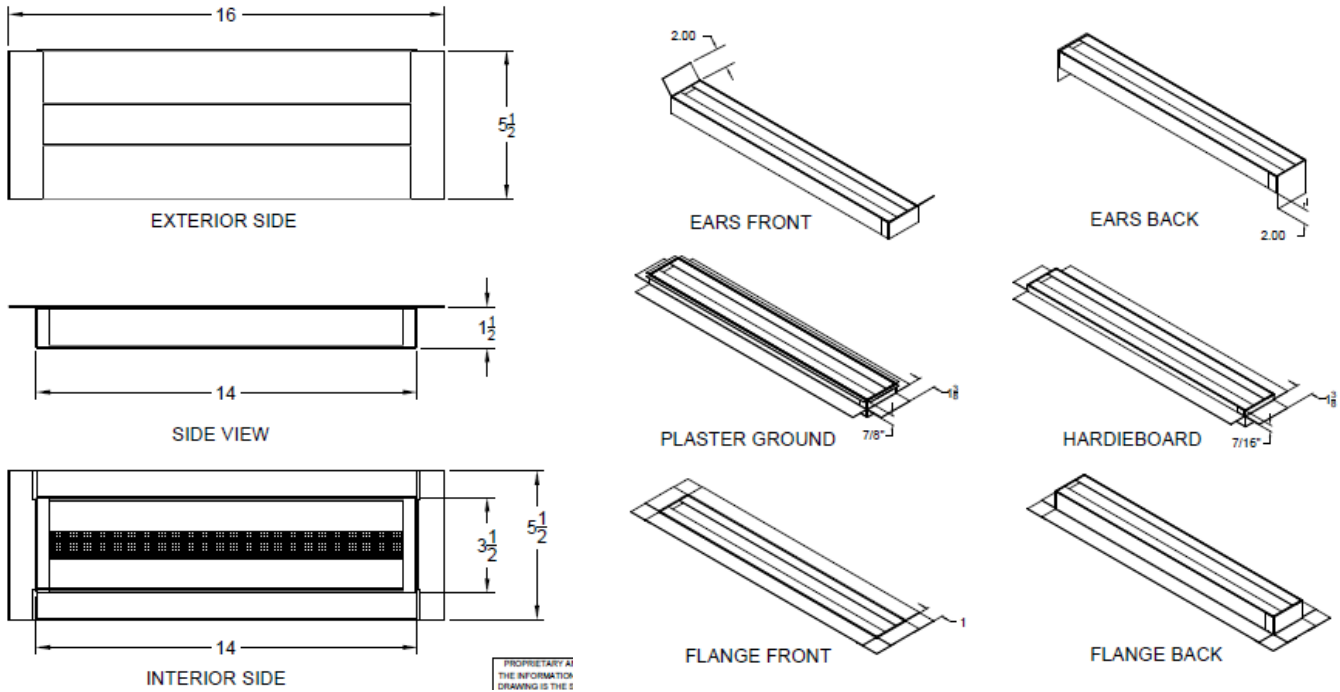




# PRODUCT SPEC SHEET/KEY SPECIFICATIONS

## “EXTREME EAVE” UNDER EAVE/SOFFIT VENTS Model # UE3021 14” x 3.5”



Under Eave/Soffit Vents	Model	Size L x W	NFVA Provided	Flanges available	Flange Definition	Weight
	UE3021	14" x 3.5"	13	See above	See above	2lbs
CUSTOM SIZES AVAILABLE						

### BENEFITS:

- Safety vents that are used in areas prone to wildfires, wind driven rain, or wind driven snow.
- Overlapping Baffle Protection ( Patented )
  - Air Flow through normally
  - Resists the intrusion of Flame and Embers, Extreme Radiant Heat, Wind Driven Rain and Wind Driven Snow
- Compliant with new California 2016 Wildfire Building Code
- California Building Materials Listing (BML) # 8160-2232:0500
- 20 Year Warranty

### STANDARD MATERIALS

#### 1/8" mesh standard unless otherwise requested

Astm A653/A653M- G90 hot dipped galvanized steel, 26 ga

2x intumescent adhesive strips installed on internal baffles to provide extreme radiant heat protection

ASTM D9092- mill phosphatized coating for painting.- If bonderized

ASTM b370- Sheet Copper, 16oz and 20oz- if copper

**Installation:** Install like any other similar Ventilator Product on the market. Install with Mesh facing inside the attic.

**WARNING:** Do NOT cut product prior to installation. This will void all warranties. If smaller lengths are needed, please measure and order custom lengths prior to installation.