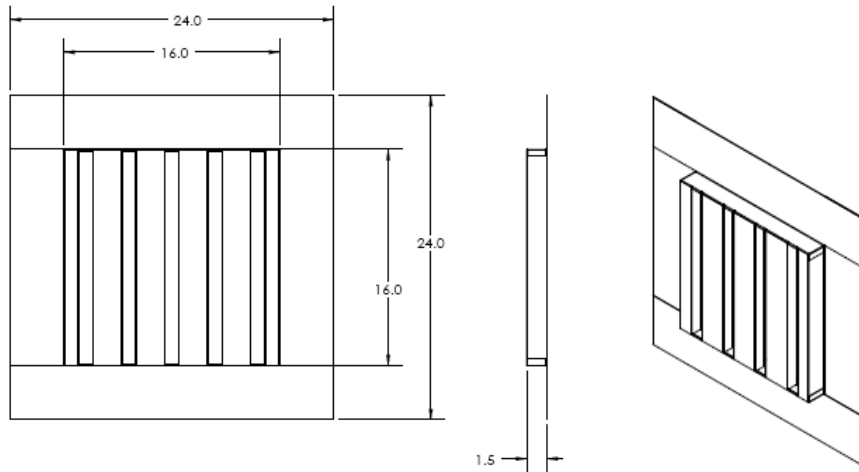




## SUB BASE FOR DORMER, TURBINE, LOW PROFILE OR OTHER ROOF VENTS Model # SB2021\*

\*NOT TO BE USED WITH Brandguard Dormer Vents



Sub Base for Dormer Vents	Model	Size W x H	NFVA Provided	Flanges Available	Flange Definition	Weight
* To be used with Dormer, Turbine, or other Field Vents	SB2021	16" x 16"	86	Standard	As Shown	6lbs
CUSTOM SIZES and materials AVAILABLE						

### BENEFITS:

- Safety vents that are used in areas prone to wildfires, wind driven rain, or winddriven snow.
- Overlapping Baffle Protection (Patented)
  - Air Flows through normally
  - Resists the intrusion of Flame and Embers, Wind Driven Rain and Wind Driven Snow
- WUI Compliant and with California Ch7a Building Code
- Anti -Clogging Overlapping Baffles plus 1/8" mesh on back side of vent
- Prevents Rodent Entry
- 20 Year FULL Warranty
- Easy to Install, from inside or outside the attic

### STANDARD MATERIALS

ASTM A653/A653M- G90 hot dipped galvanized steel, 26GA  
 ASTM D9092- mill phosphatized coating for painting. IF BONDERIZED  
 ASTM b370- Sheet Copper, 16oz and 20oz IF GALVANIZED  
 .025 x.025 hot dipped galvanized 23ga wire mesh

## Installation:

Install with Dormer, Turbine, Mushroom, or other applicable commodity field vents from either the interior or exterior of the attic. Do NOT install with Brandguard Dormer Vent. Brandguard Dormer Vents can be used with a standard 1/16"-1/8" Mesh Sub Base.

## EXAMPLES OF INTERIOR ATTIC INSTALLATION:

